

Kempower AC Satellite

AC charging satellite for EVs

Kempower AC Satellite is a stand-alone EV charger, for charging hybrid and fully electric vehicles.

Kempower AC Satellite extends Kempower's wide EV charging offering. There are two versions of Kempower AC Satellite, one version with two integrated charging cables with Type 2 AC charging plugs, and another with two Type 2 AC charging sockets. Both AC Satellites include an integrated, MID-approved Class B energy meter.

The AC Satellite with integrated charging cables features Kempower's advanced, user-friendly cable support system (pat. pend.).

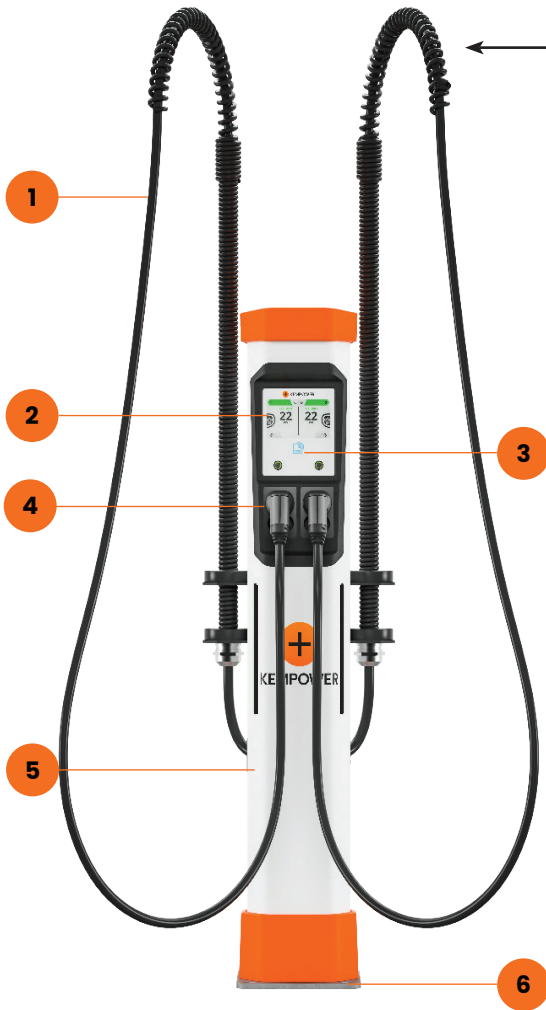


Power range

Up to 22_{kW}

Number of charging outputs

2



1. Charging cable support spring system

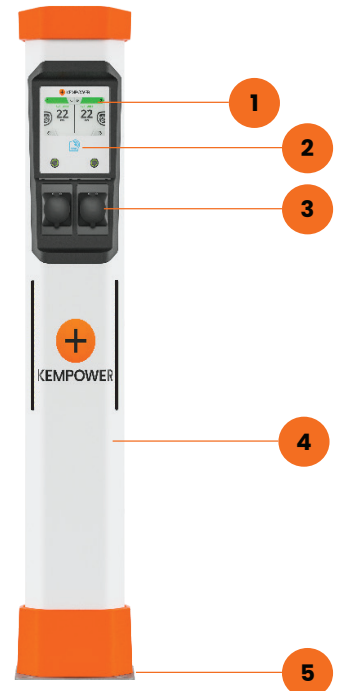
2. 7" touch screen display

3. RFID reader (ISO14443A)

4. Charging cable plugs

5. Aluminium frame

6. Mounting flange



1. 7" touch screen display

2. RFID reader (ISO14443A)

3. Charging sockets

4. Aluminium frame

5. Mounting flange



Advanced cable support system (pat. pend.) for premium user experience



Easy-to-use, intuitive user menu on a 7" touch screen display



On-screen QR code to follow the charging status on the user's mobile phone



Optimal for charging hybrid vehicles



Suitable for overnight charging



Advanced charging control and customization options with Kempower ChargeEye solution

Product codes

SAA7AS	2 x Type 2 AC charging cables & plugs
SAA7AP	2 x Type 2 AC charging cables & plugs EMV contactless payment terminal
SAAS	2 x Type 2 AC
SAAP	2 x Type 2 AC EMV contactless payment terminal

Note: Add C0 in the end of the product code for unbranded versions (no stickers, black roof & base), e.g. SAA7ASC0

Environmental specifications

Operating temperature	-30...+50°C
Maximum altitude	2000 m (without altitude derating)
Altitude derating	-1.4% of max. charging current per 100 m (above 2000 m)
Storage temperature	-40...+60°C
Enclosure	IP54, IK10
Ambient air humidity	< 95% relative humidity

General electric specifications

Charging method	2 x Type 2 AC
Charging cable length (SAA7AS/P)	7 m
Maximum current	3~ 32 A
Charging power at 400 VAC	22 kW
Voltage	3~ 400 VAC
Standby power	25 W
Network type	TN-C-S
OVC	III

Connections & Protocols

WiFi	802.11 b/g/n (2.4/5 GHz)
Cellular / GPS	LTE-FDD, LTE-TDD, WCDMA, GSM
Ethernet	RJ45, IEEE 802.3 / 802.3u
OCPP	1.6j / 2.0.1
Connectivity	Kempower ChargEye solution
Type 2 AC	IEC 61851-1

Electrical protections

A+B type RCD functionality*

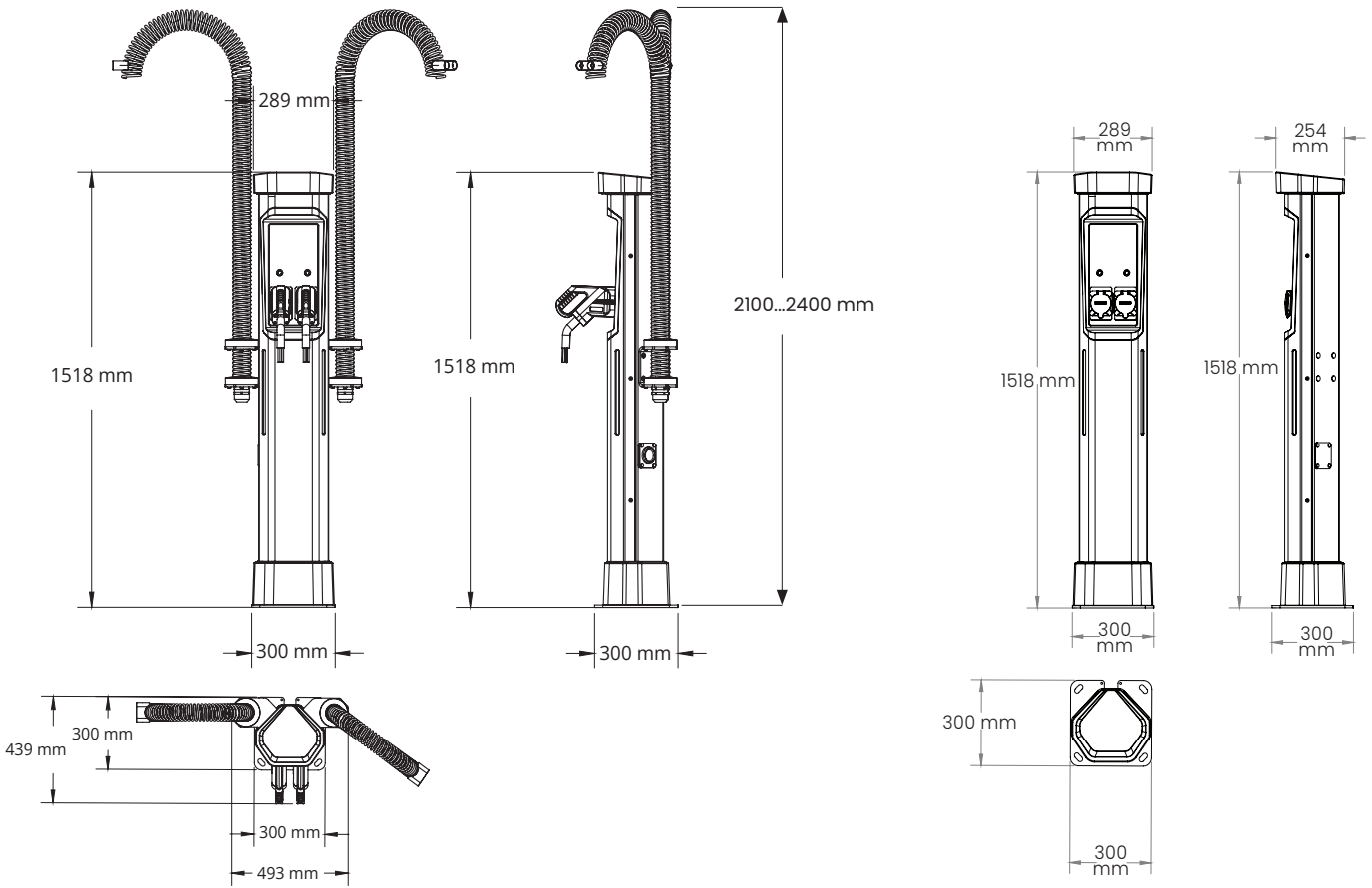
*Installation according to IEC62955: type A RCD to be installed in grid side supply point

Mechanical dimensions (WxHxD)

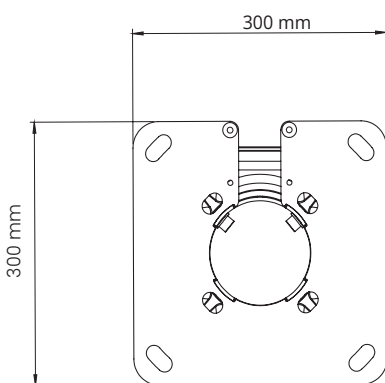
Weight

	SAAS	SAA7AS
300 x 1518 x 301 mm (with standard mounting flange)	33 kg	72 kg
294 x 1518 x 239 mm (with mounting pipe)	37 kg	73 kg

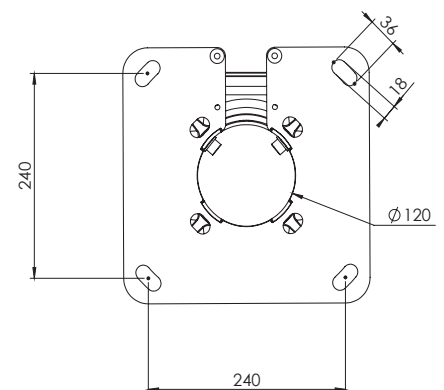
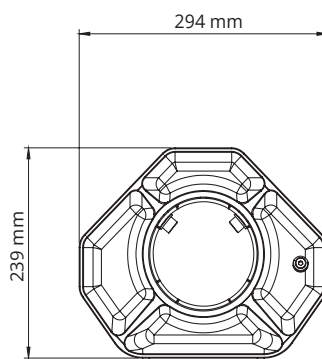
Note: Payment terminal adds ca. 1 kg weight



Footprint of standard surface mounting flange



Footprint with mounting pipe



Compliance to standards

Electrical safety	IEC 61851-1
EMC, Harmonics	IEC 61851-21-2
Energy metering	MID Class B

Options

Customized branding	Customer branding options (colors, stickers)*
---------------------	---

*Please consult Kempower for availability, pricing and MOQ

